

Supplied By: Percolation Supplies Ltd

Sales /Service 086 2600438

053/9138950 Email wquaid@gmail.com

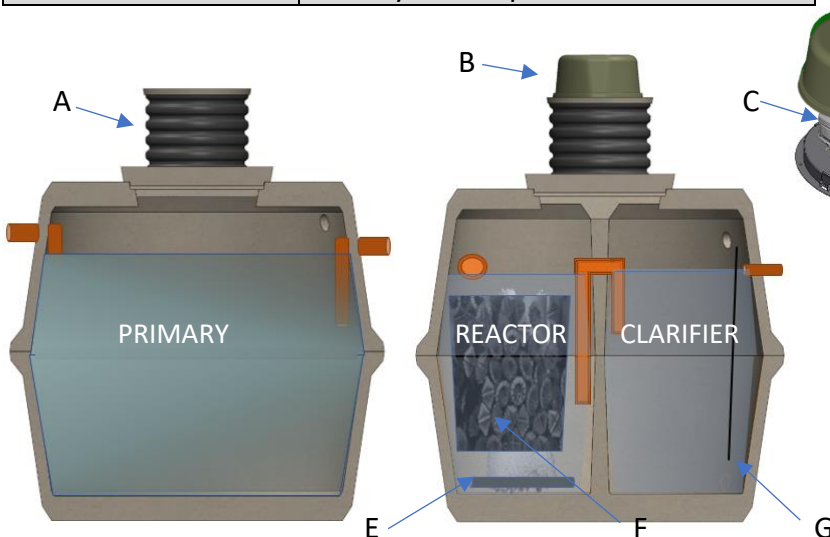
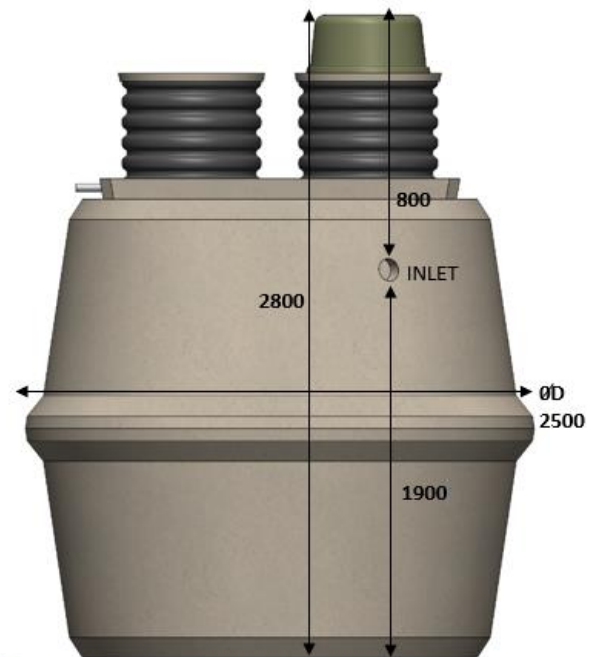
Web:www.percolationsupplies.ie

**Description:**

Eurotank BAF2 is a very strong, Concrete, wastewater treatment system for use in both domestic and commercial applications.

The system is **En12566/3 & NSAI SR66 Certified** as listed on Pia Gmbh for Irish Use. Eurotank BAF uses Moving Bed Technology in a 3 stage Biological Aeration Filtration process as a very simple method of treatment with great effluent quality. The range comprises various tank sizes, comes fully built and delivered with a lot of installation advantages. Full after-sales service nationwide service.

Population Equivalent PE	6 TO 50 Tank configurations for 6, 12, 25, 50 and up to 300
Certification	By Pia Gmbh To En12566/3 SR66 as listed for Irish use. (ATTACHED)
Effluent Quality	BOD <sub>5</sub> - <b>11 mg/lt</b> <20mg/l required SS - <b>12mg/lt</b> <30mg/l required NH <sub>4</sub> -N – <b>6.2 mg/lt</b> <20mg/l required Exceeding Irish Requirement
Electrical Consumption -Cable -Protection	1kWh/D 2.5mm <sup>2</sup> x 3 core SWA (up to 100m run) RCD 16 amp,230v ,30ma ,Bs 4293 standard
Alarm	Audible For Pump Failure
Outlet	Gravity or Pumped



- A Pvc Risers, sealed no leaks, Ground Adjustable
- B: Enclosure, Aesthetic control unit housing
- C: ECO Blower unit
- D: Control unit with built in Mcb's & alarm
- E: Sludge return, solids removal & activated sludge
- F: Media Bed
- G: Aeration Diffusers

**Internal Treatment Process & Chamber Layout**

The Process has 3 Functions Housed in 3 Chambers

Chamber 1 – Primary settlement chamber, receives raw Sewage and Wastewater & settle solids.

Chamber 2 – Reactor, Biological treatment with use of aeration and high spec Fluidised Media

Chamber 3 – Clarifier, any remaining solids are allowed settle and are returned to primary chamber to aid activated sludge process

Final Effluent leaves chamber 3 Via gravity or float switched pump.



## TREATMENT PERFORMANCE RESULTS

**TPW Systems Ltd**  
Ballyheige, Screen, Co. Wexford, Ireland  
**EN 12566-3**  
Results corresponding to EN 12566-3 and S.R. 66  
PIA2020-SR66-2007-1023  
**EUROTANK BAF2 (range with 4 models)**  
Biological aerated filter

Nominal organic daily load	0.29 kg/d		
Nominal hydraulic daily load	0.9 m <sup>3</sup> /d		
Material	Concrete		
Watertightness	Pass		
Structural behaviour (Crushing resistance)	Pass (also wet conditions)		
Durability	Pass		
Treatment efficiency (nominal sequences)			
	Efficiency	Effluent	
	COD	92.9 %	59 mg/l
	BOD <sub>5</sub>	96.4 %	11 mg/l
	NH <sub>4</sub> -N	84.3 %	6.2 mg/l
	SS	96.9 %	12 mg/l
Number of desludging	Not more than once		
Electrical consumption	1.10 kWh/d		

Performance tested by:

**PIA – Prüfinstitut für Abwassertechnik GmbH**  
(PIA GmbH)  
Hergenrather Weg 30  
52074 Aachen, Germany

This document replaces neither the declaration of performance nor the CE marking.

Notified Body No.: 1739 Certified according to ISO 9001:2015



Verschitz / Wermter July 2020