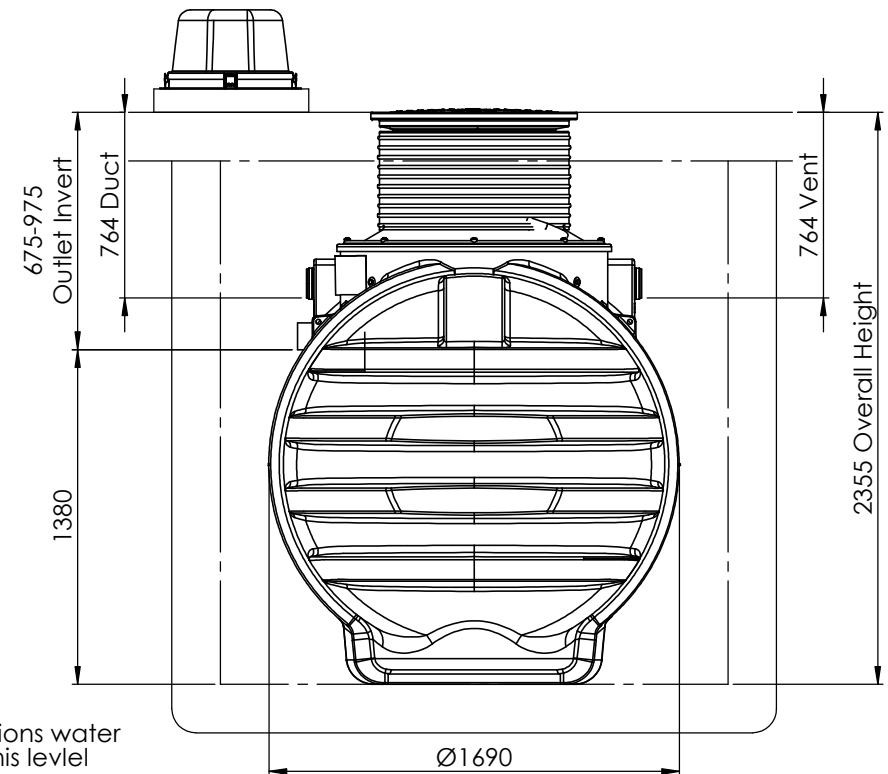
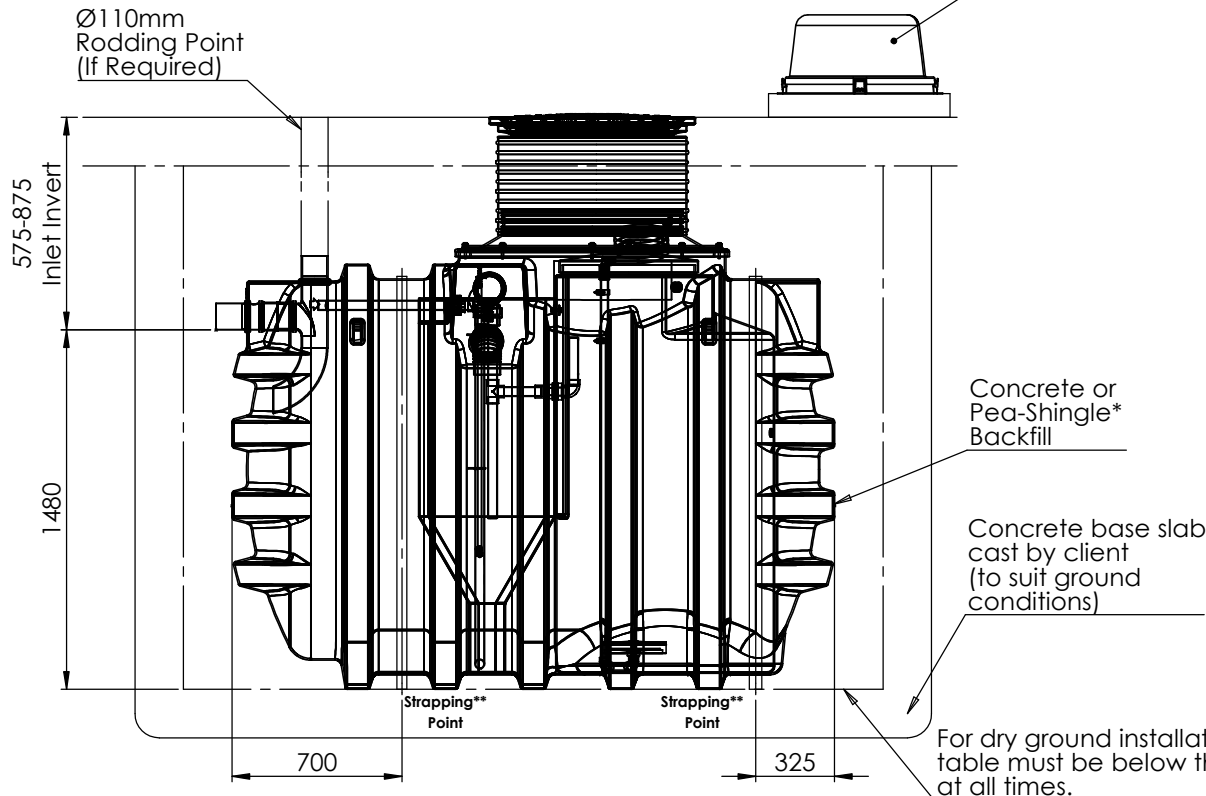


Notes :

1. INLET/OUTLET are $\phi 110$ mm. Suitable reducers should be used to step down from bigger pipework. Supplied by others.
2. Units invert is adjustable by trimming external riser to required height. Selection of correct invert is key and must be suitable for drainage and ground levels on site.
3. Ext neck kit available for deeper inverts up to a maximum invert of 1500mm.
4. It is important to read and understand installation operation and maintenance guidelines before attempting to install this unit.
5. Vent pipe connections are supplied but vent runs and stacks are supplied by others.
6. The unit will normally need de sludged annually. However this is dependant on use.
7. *Pea-Shingle backfill is reliant on use of correct strapping and anchoring.
8. **Tank to be strapped and anchored at points below when using Pea Shingle backfill in wet site conditions.
9. Tank Weight (Empty) - 295 Kgs



Please check with Kingspan Environmental that this drawing is the latest issue

Issue	Date	Drawn by	Approved by
01	02/09/15	JMcM	

Description
Initial Release

Material : Various
Finish :
Weight : 186.72 Kg Kgs

Tolerance :
Thickness : n/a
Surface Area :

Drawing : DS1263P	Page 1 of 1
BioFicient+ 1 TP Sales Drawing - Gravity	

All dimensions in mm

Scale: Not to scale

Kingspan Environmental reserve the right to alter the details of this drawing without prior notice. This drawing is copyright and may not be reproduced or used without the written permission of Kingspan Environmental.

